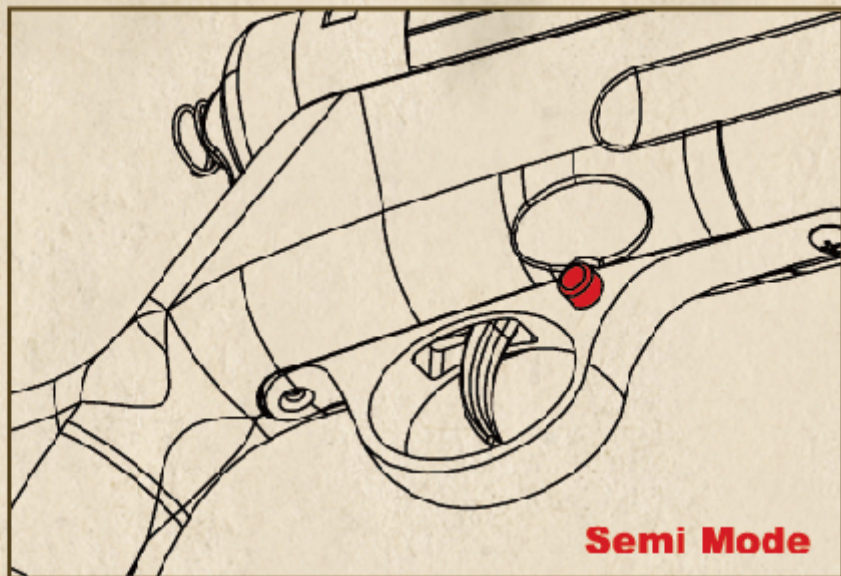
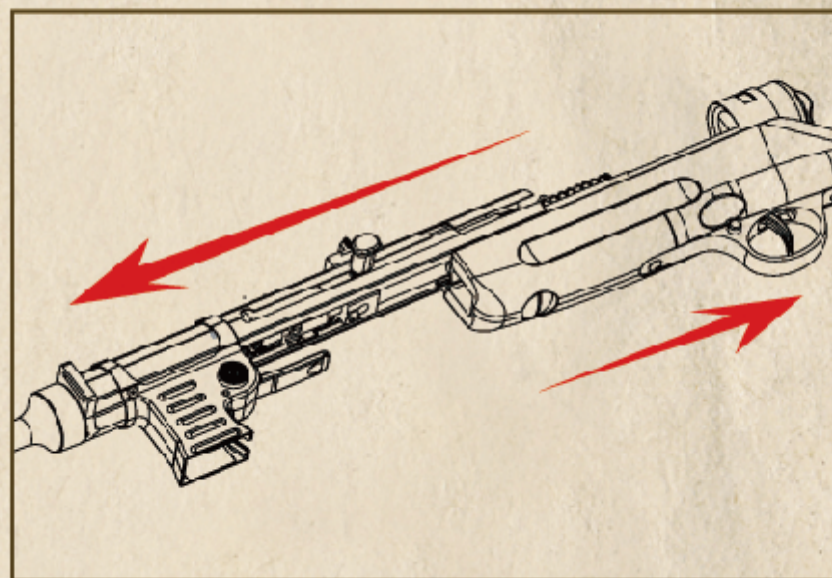
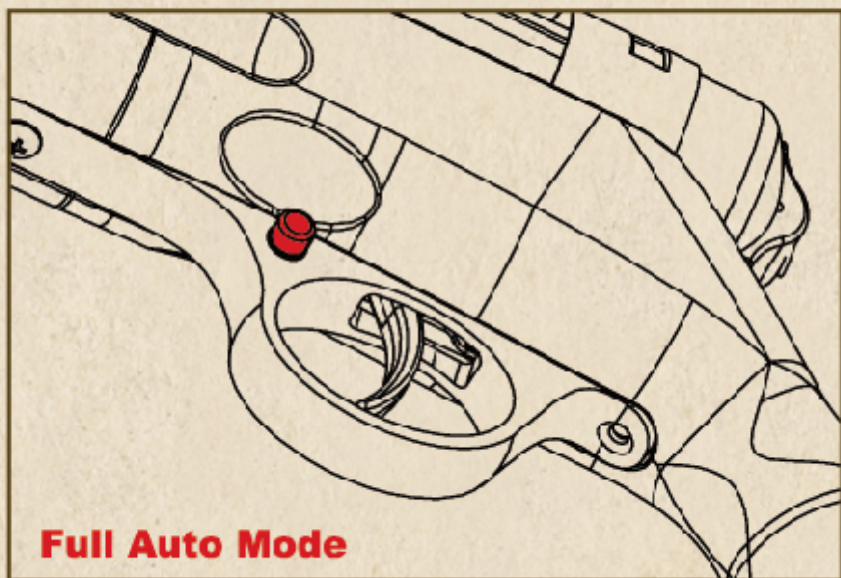
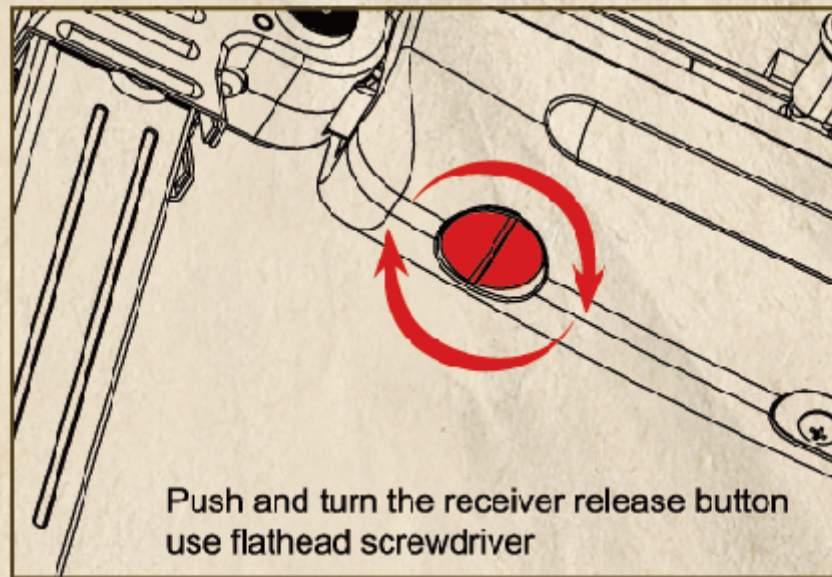


SR41 CO2 GBB SUBMACHINE GUN ADDITIONAL USER GUIDE

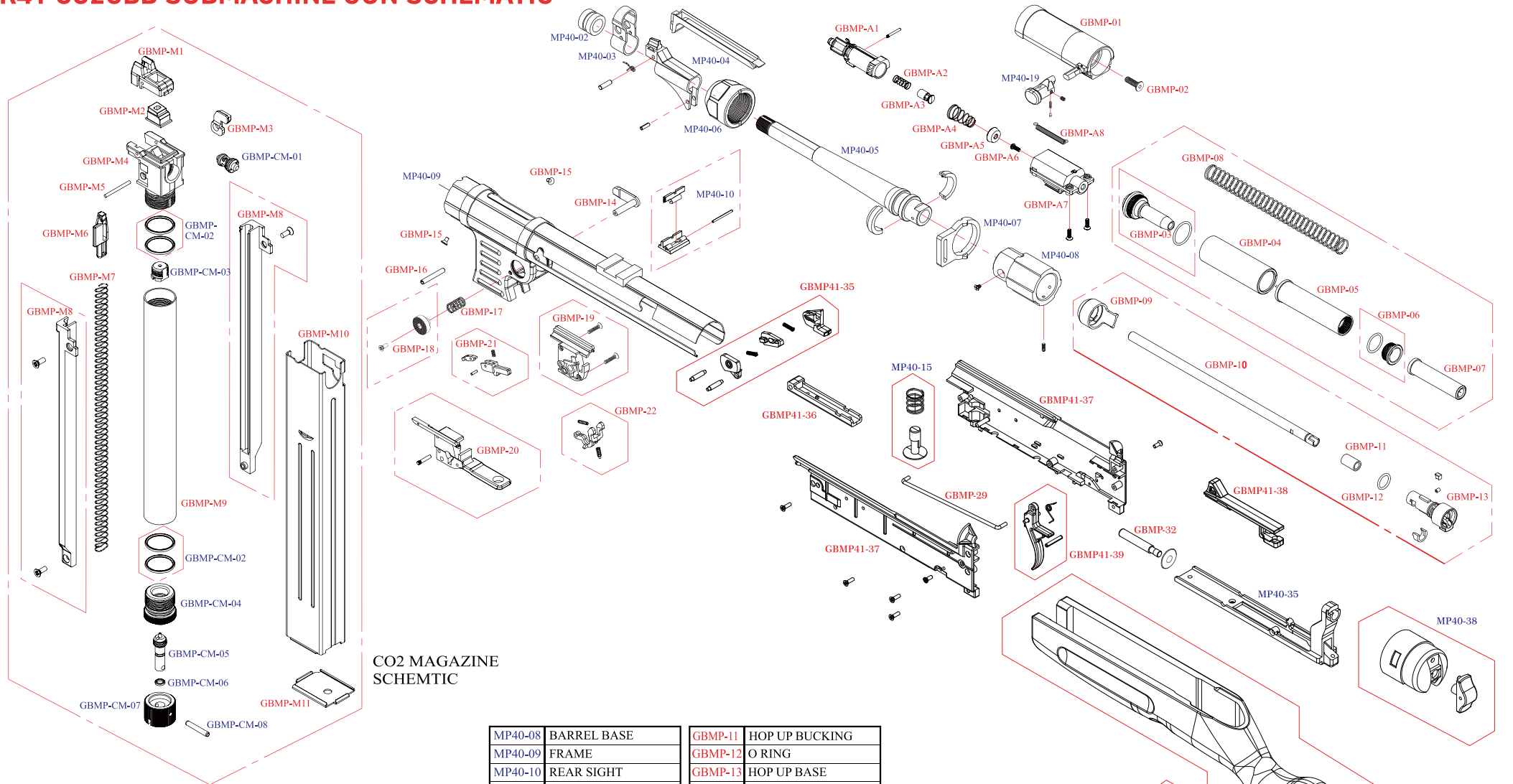
Shoot Mode



Disassemble Upper Receiver and Lower Receiver



SR41 CO2GBB SUBMACHINE GUN SCHEMATIC



CO2 MAGAZINE SCHEMATIC

NO.	DESCRIPTION
GBMP-M1	MAGAZINE LIP
GBMP-M2	AIR NOZZLE RUBBER
GBMP-M3	MAGAZINE LATCH
GBMP-M4	MAGAZINE BASE
GBMP-M5	PIN
GBMP-M6	MAGAZINE BAR
GBMP-M7	SPRING
GBMP-M8	BB HOLDER
GBMP-M9	CARTRIDGE / GAS HOLDER
GBMP-M10	MAGAZINE HOUSING
GBMP-M11	MAGAZINE BOTTOM COVER
GBMP-CM-01	CO2 MAG VALVE

GBMP-CM-02	CO2 MAG O RING
GBMP-CM-03	CO2 PUNCTURE - UPPER
GBMP-CM-04	CO2 PUNCTURE BASE
GBMP-CM-05	CO2 PUNCTURE - LOWER
GBMP-CM-06	CO2 PUNCTURE O RING
GBMP-CM-07	CO2 PUNCTURE COVER
GBMP-CM-08	PIN 3*20
MP40-02	FLASH HIDER
MP40-03	FRONT SIGHT RING
MP40-04	FRONT SIGHT SET
MP40-05	ALUNINUM BARREL (W/ FIX RING)
MP40-06	BARREL FIX NUT
MP40-07	FRONT SLING

MP40-08	BARREL BASE
MP40-09	FRAME
MP40-10	REAR SIGHT
MP40-19	COCKING HANDLE
MP40-38	RECEIVER CAP
MP40-39	SR41 TRIGGER GUARD
GBMP-01	BOLT
GBMP-02	SCREW 5x18
GBMP-03	TELESCOPING HOUSING BASE
GBMP-04	3RD TELESCOPING HOUSING
GBMP-05	2ND TELESCOPING HOUSING
GBMP-06	2ND TELESCOPING HOUSING COVER
GBMP-07	1ST TELESCOPING HOUSING
GBMP-08	RECOIL SPRING
GBMP-09	HOP UP ADJUSTMENT WHEEL
GBMP-10	INNER BARREL

GBMP-11	HOP UP BUCKING
GBMP-12	O RING
GBMP-13	HOP UP BASE
GBMP-14	MAGAZINE CATCH
GBMP-15	SCREW 3x8
GBMP-16	PIN 4x27
GBMP-17	SPRING
GBMP-18	MAGAZINE RELEASE BUTTON
GBMP-19	RECEIVER CONNECTING BASE-R
GBMP-20	RECEIVER CONNECTING BASE-L
GBMP-21	HAMMER SET
GBMP-22	HAMMER RELEASE
GBMP-29	TRIGGER ROD
GBMP-31	SAFETY LOCK
GBMP-32	SPRING GUIDE
GBMP-33	SAFETY
GBMP-34	RECEIVER RELEASE BUTTON

GBMP-A1	AIR NOZZLE
GBMP-A2	AIR VALVE SPRING
GBMP-A3	AIR VALVE
GBMP-A4	SPRING
GBMP-A5	PISTON RING
GBMP-A6	SCREW 3x6
GBMP-A7	AIR NOZZLE BASE
GBMP-A8	SPRING
GBMP41-35	SR41 HAMMER RELEASE SET
GBMP41-36	HAMMER BASE
GBMP41-37	SR41 RECEIVER BASE
GBMP41-38	SR41 SELECTOR LEVER
GBMP41-39	SR41 TRIGGER

