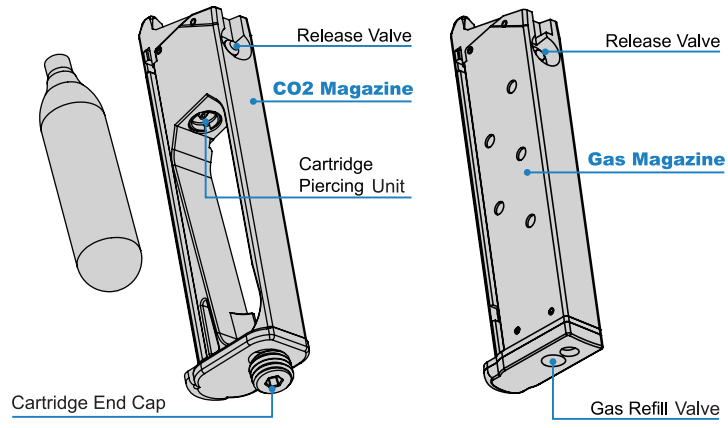
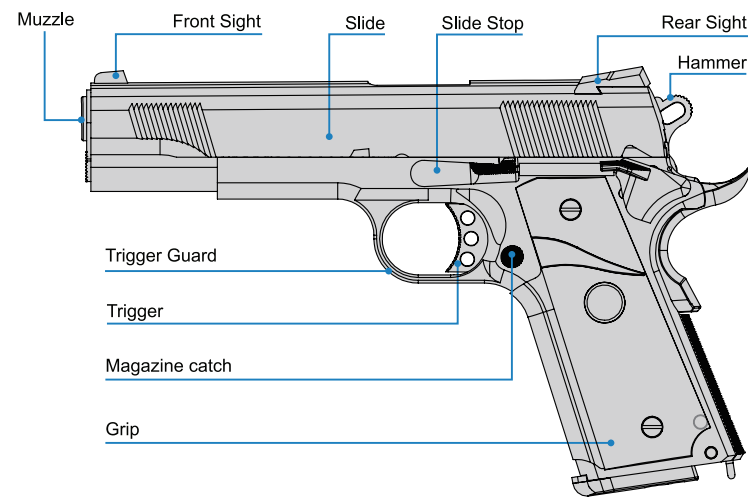
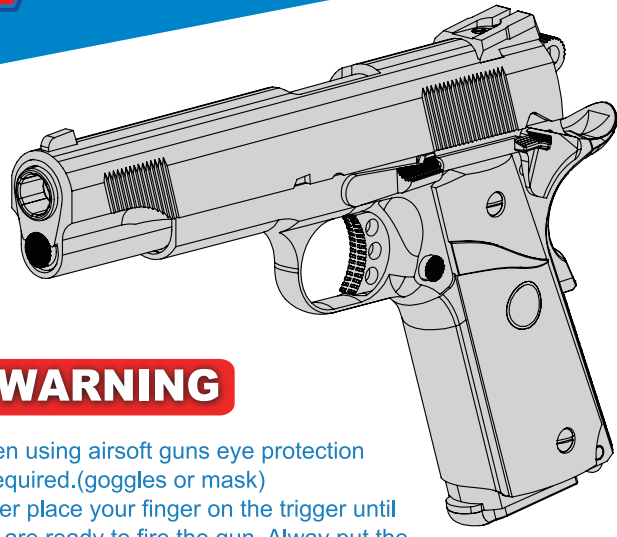


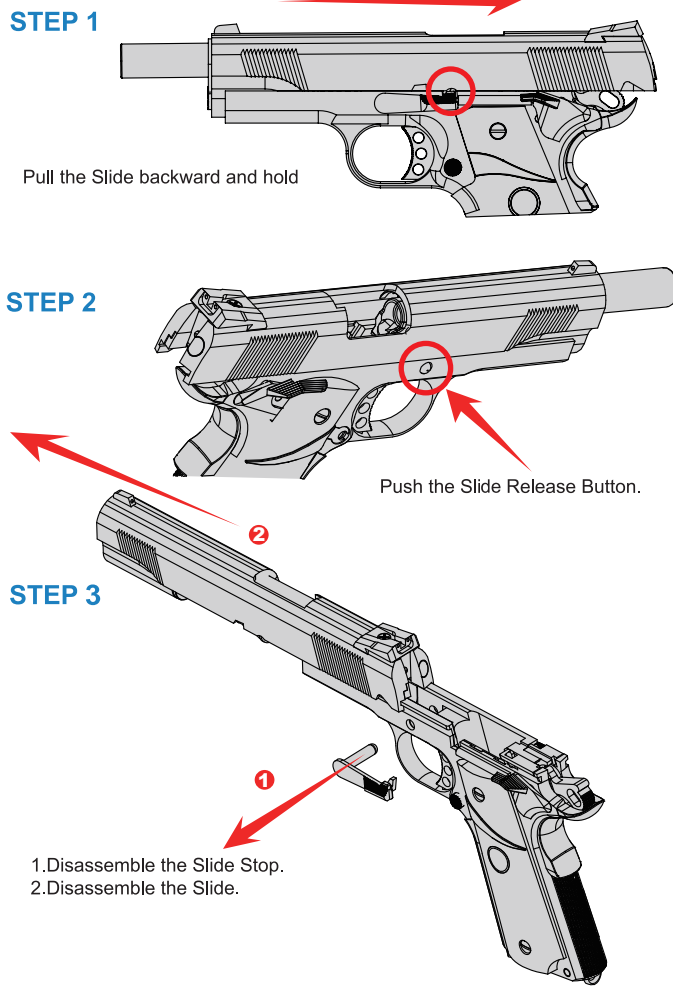
SR-1911 PARTS DESCRIPTION



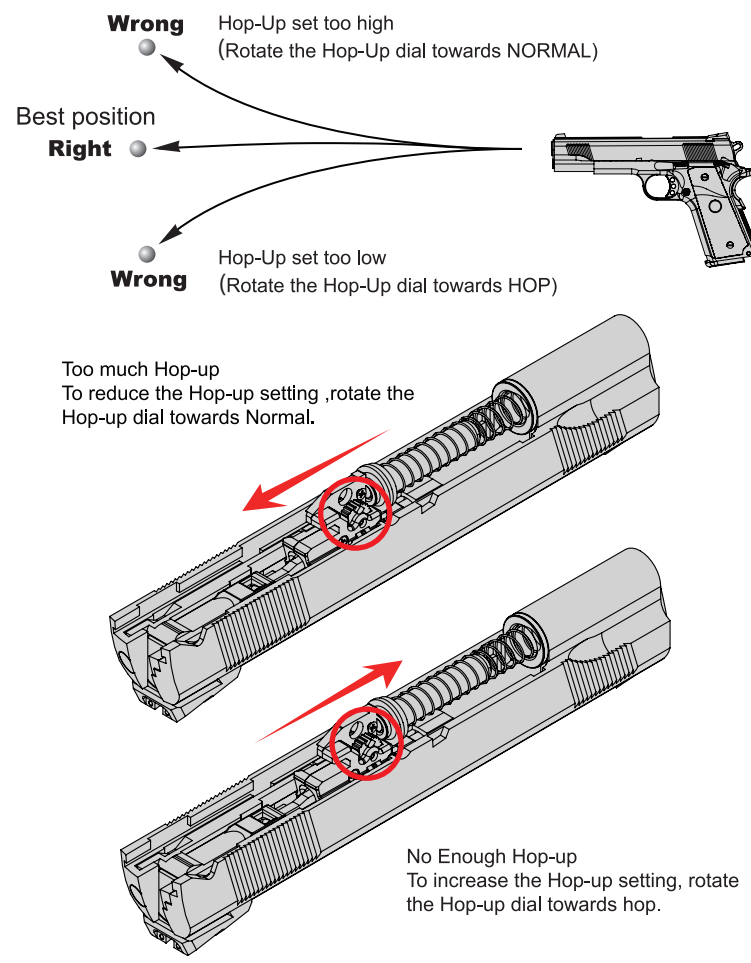
WARNING

- ▲ When using airsoft guns eye protection is required. (goggles or mask)
- ▲ Never place your finger on the trigger until you are ready to fire the gun. Always put the gun in safe mode when not in use. Tread every gun as if it is loaded.
- ▲ Please keep away from children.
- ▲ BBs may remain in the barrel after magazine removal. To avoid injury, never look directly into the barrel and ensure the gun is always pointed in safe direction.
- ▲ Disassembly or modification of this product may result in damage to your Airsoft gun, loss of warranty, and/or serious injury.
- ▲ Please select a safe place to fire your airsoft gun. Always know your state and local laws concerning airsoft gun use.
- ▲ Do not aim or shoot at humans, animals, buildings, or vehicles.
- ▲ Please use a firearm case or bag when transporting your airsoft gun.

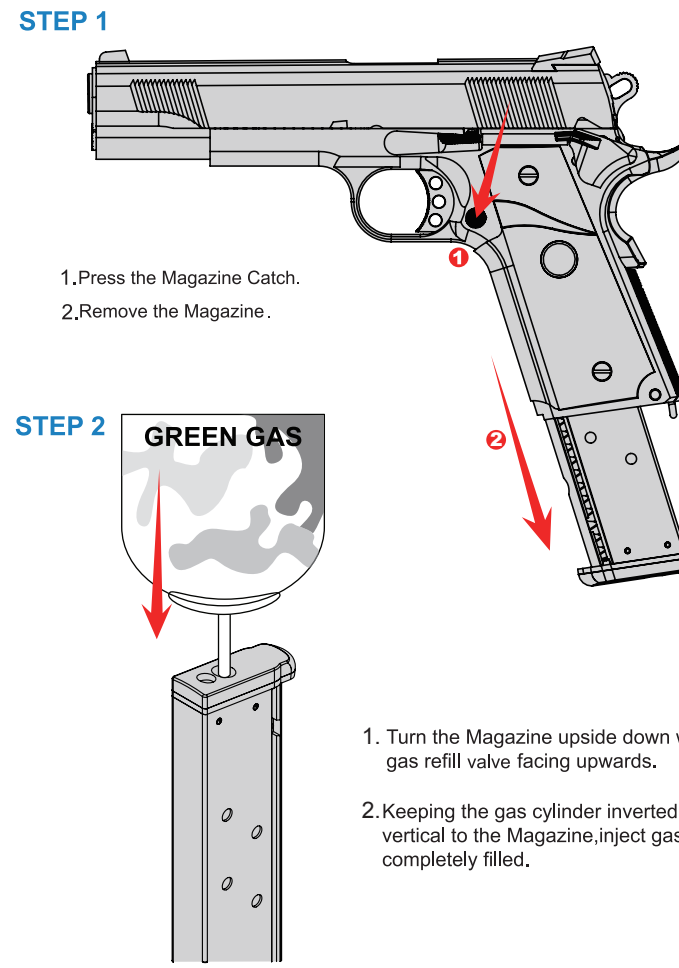
DISASSEMBLE SLIDE



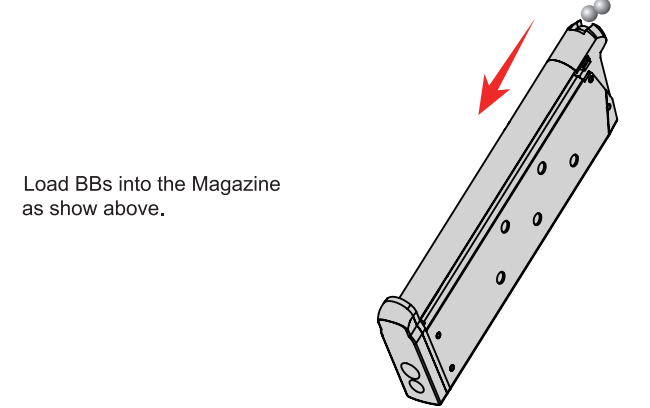
HOP-UP ADJUSTMENT



GAS INJECTION



Loading BB Bullets



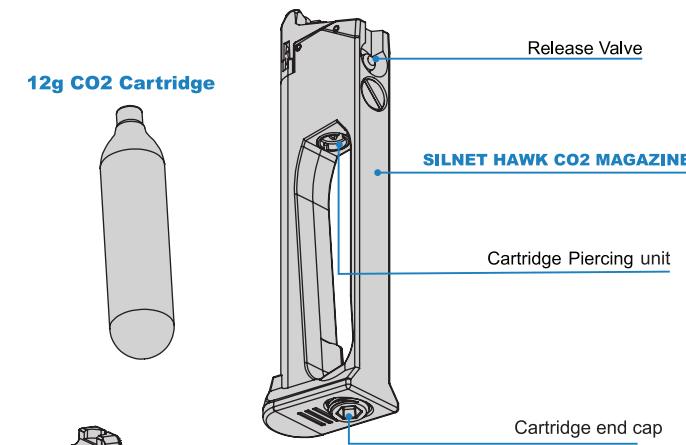
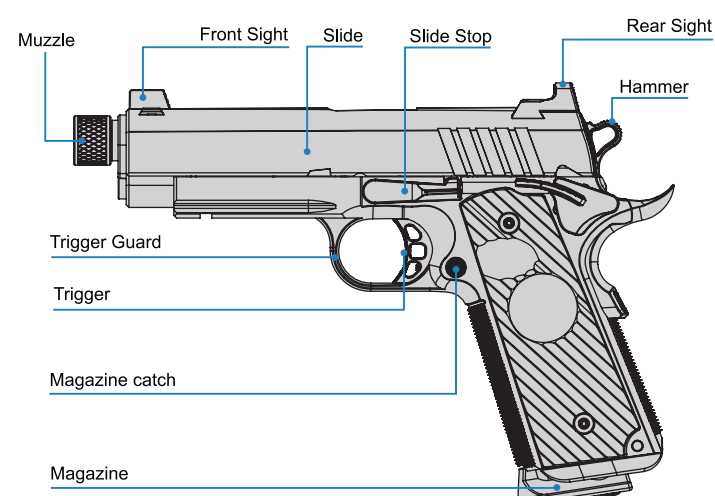
INSTALL CO2 CARTRIDGE

1. Turn the Screw clockwise to puncture the CO2 Cartridge Loading.
2. Loading BBs.

SR-1911 SCHEMATIC GAS / CO2 Ver.

NO	DESCRIPTION	NO	DESCRIPTION	NO	DESCRIPTION	NO	DESCRIPTION
A1	Magazine set	1	Barrel Bearing	10	Hammer base	39	Grip safety
A2	Magazine Lip	2	Slide	11	Hammer Adx	37	Hammer Spring Housing pin
A3	Magazine Frame	3	Recall Spring plug	12	Recall Spring	38	Plunger set
A4	Valve (Gas Ver.)	4-1	Outer Barrel (Longest Ver.)	13	Sear base	39	Safety
A5	O Ring	4-2	Outer Barrel (Shorty Ver.)	14	Sear Spring	40	Grip set
A6	Magazine base	5-1	Inner Barrel (Longest Ver.)	15	Impact pin	41	Grip screw
A7	Gas Valve	5-2	Inner Barrel (Shorty Ver.)	16	Hammer set	42	Sear Spring
A8	Pin	6	Hop Up Chamber	17	Disconnector	43	Hammer spring screw
A9	Magazine Spring	7	Hop Up Bucking	18	Trigger	44	Hammer spring
A10	Pin	8	Recall Spring	19	Hammer set	45	Hammer housing
A11	Pin	9	Recall Spring Guide	20	Trigger	46	Lanyard mount
A12	Magazine Frame (CO2 Ver.)	10	Air Nozzle (Gas Ver.)	21	Magazine catch	47	Firing pin stop
A13	Valve (CO2 Ver.)	11	Hop Up Chamber	22	Lower Receiver (Gas Ver.)	48	Grip set (CO2 Ver.)
A14	Cartridge Stab (CO2 Ver.)	12	Screw & O Ring	23	Hammer set	49	Grip screw (CO2 Ver.)
A15	Screw	13	Piston O Ring	24	Hammer housing	50	Lower Receiver (CO2 Ver.)
CP2-02	CP2-02	14	Piston	25	Magazine catch	51	Air Nozzle (CO2 Ver.)
		15	Nozzle Spring	26	Plunger set	52	Piston head (CO2 Ver.)
		16	Air Nozzle base	27	Sear pin		
		17	Firing pin Spring	28	Plunger base		
		18	Dummy Firing pin	29	Slide base		
		19	Slide Spring	30	Slide bracket		
		20	Slide Stop	31	Slide		
		21	Slide Stop	32	Slide		
		22	Slide Stop	33	Slide		
		23	Slide Stop	34	Slide		
		24	Slide Stop	35	Slide		
		25	Slide Stop	36	Slide		
		26	Slide Stop	37	Slide		
		27	Slide Stop	38	Slide		
		28	Slide Stop	39	Slide		
		29	Slide Stop	40	Slide		
		30	Slide Stop	41	Slide		
		31	Slide Stop	42	Slide		
		32	Slide Stop	43	Slide		
		33	Slide Stop	44	Slide		
		34	Slide Stop	45	Slide		
		35	Slide Stop	46	Slide		
		36	Slide Stop	47	Slide		
		37	Slide Stop	48	Slide		
		38	Slide Stop	49	Slide		
		39	Slide Stop	50	Slide		
		40	Slide Stop	51	Slide		
		41	Slide Stop	52	Slide		

SILENT HAWK PARTS DESCRIPTION



WARNING

- ▲ When using airsoft guns eye protection is required. (goggles or mask)
- ▲ Never place your finger on the trigger until you are ready to fire the gun. Always put the gun in safe mode when not in use. Tread every gun as if it is loaded.
- ▲ Please keep away from children.
- ▲ BBs may remain in the barrel after magazine removal. To avoid injury, never look directly into the barrel and ensure the gun is always pointed in safe direction.
- ▲ Disassembly or modification of this product may result in damage to your Airsoft gun, loss of warranty, and/or serious injury.
- ▲ Please select a safe place to fire your airsoft gun. Always know your state and local laws concerning airsoft gun use.
- ▲ Do not aim or shoot at humans, animals, buildings, or vehicles.
- ▲ Please use a firearm case or bag when transporting your airsoft gun.

SILNET HAWK 1911 SCHEMATIC

NO	DESCRIPTION	NO	DESCRIPTION	NO	DESCRIPTION	NO	DESCRIPTION
1	Barrel Bearing	10	Hammer base	39	Grip safety	48	Slide
2	Slide	11	Hammer Adx	37	Hammer Spring Housing pin	49	Slide
3	Recall Spring plug	12	Recall Spring	38	Plunger set	50	Slide
4	Outer Barrel (Longest Ver.)	13	Sear base	39	Safety	51	Slide
4-1	Outer Barrel (Shorty Ver.)	14	Sear Spring	40	Grip set	52	Slide
5	Inner Barrel (Longest Ver.)	15	Impact pin	41	Grip screw	53	Slide
5-1	Inner Barrel (Shorty Ver.)	16	Hammer set	42	Sear Spring	54	Slide
6	Hop Up Chamber	17	Disconnector	43	Hammer spring screw		
7	Hop Up Bucking	18	Trigger	44	Hammer spring		
8	Recall Spring	19	Hammer set	45	Hammer housing		
9	Recall Spring Guide	20	Trigger	46	Lanyard mount		
10	Air Nozzle (Gas Ver.)	21	Magazine catch	47	Firing pin stop		
11	Hop Up Chamber	22	Lower Receiver (Gas Ver.)	48	Grip set (CO2 Ver.)		
12	Screw & O Ring	23	Hammer set	49	Grip screw (CO2 Ver.)		
13	Piston O Ring	24	Hammer housing	50	Lower Receiver (CO2 Ver.)		
14	Piston	25	Magazine catch	51	Air Nozzle (CO2 Ver.)		
15	Nozzle Spring	26	Plunger set	52	Piston head (CO2 Ver.)		
16	Air Nozzle base	27	Sear pin				
17	Firing pin Spring	28	Plunger base				
18	Dummy Firing pin	29	Slide base				
19	Slide Spring	30	Slide bracket				
20	Slide Stop	31	Slide				
21	Slide Stop	32	Slide				
22	Slide Stop	33	Slide				
23	Slide Stop	34	Slide				
24	Slide Stop	35	Slide				
25	Slide Stop	36	Slide				
26	Slide Stop	37	Slide				
27	Slide Stop	38	Slide				
28	Slide Stop	39	Slide				
29	Slide Stop	40	Slide				
30	Slide Stop	41	Slide				
31	Slide Stop	42	Slide				
32	Slide Stop	43	Slide				
33	Slide Stop	44	Slide				
34	Slide Stop	45	Slide				
35	Slide Stop	46	Slide				
36	Slide Stop	47	Slide				
37	Slide Stop	48	Slide				
38	Slide Stop	49	Slide				
39	Slide Stop	50	Slide				
40	Slide Stop	51	Slide				
41	Slide Stop	52	Slide				
42	Slide Stop	53	Slide				
43	Slide Stop	54	Slide				

26+1 Rounds (Double Stack Magazine)
SR1911 EXTEND CO2 MAGAZINE
ITEM No.: SR1911-EXCOM

14mm CCW Outer Barrel (Standard)
 Full Metal Suppressor (12cm) Optional
ITEM No.: P-112