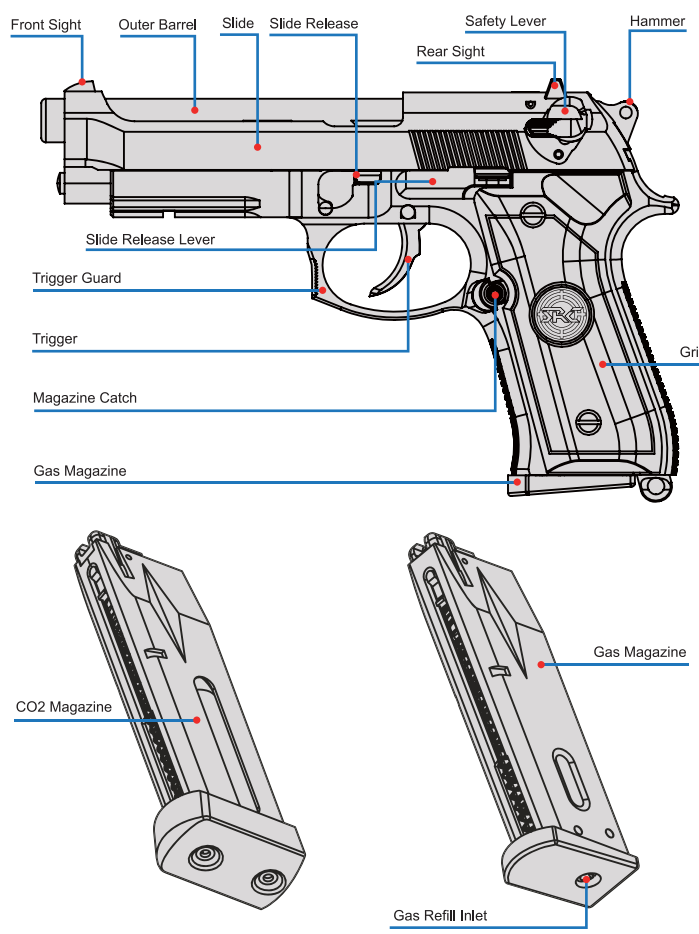
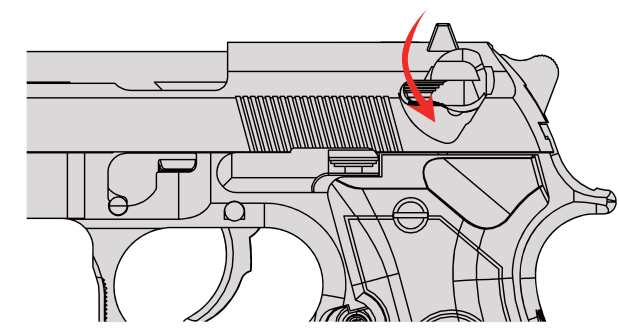


SR92 PARTS DESCRIPTION

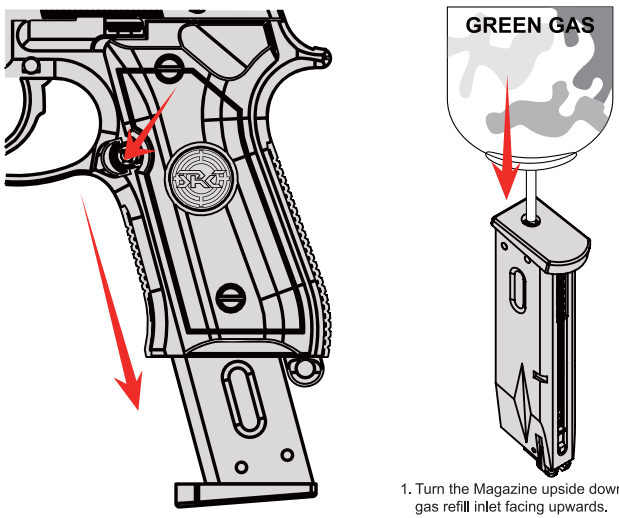


GAS INJECTION

Safety and Magazine Removal

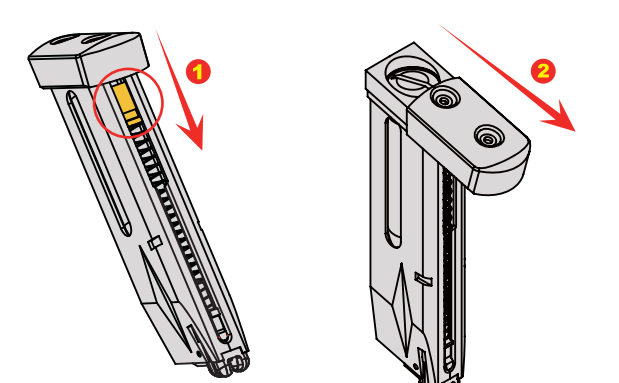


Turn the Safety Lever Selector to safe mode

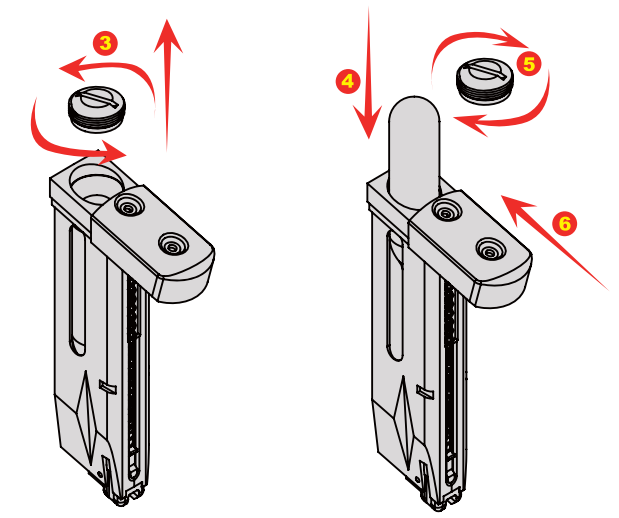


1. Press the Magazine Catch.
2. Remove the Magazine.

INSTALL CO2 CARTRIDGE



1. Press the button and hold
2. Push the cover out.

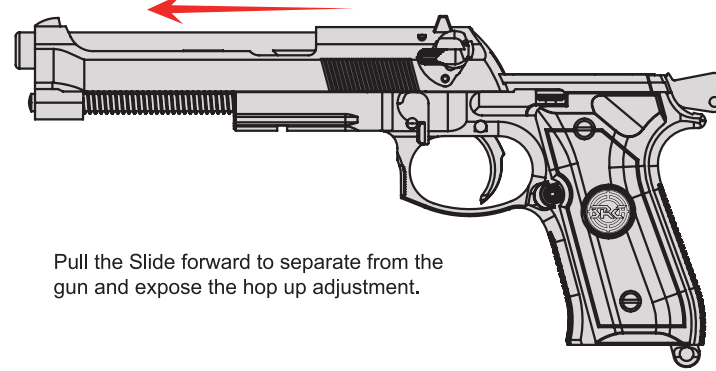
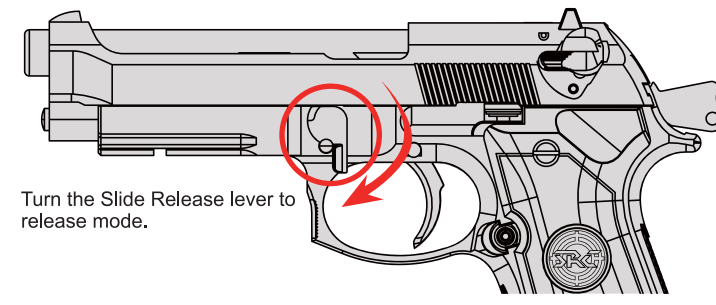
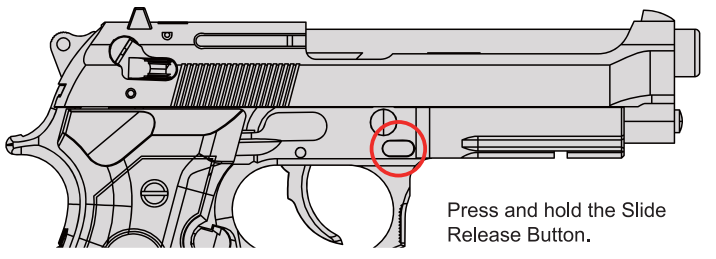


3. Take out the cap by coin or flat head screw driver.
4. Put CO2 Cartridge into the Magazine.
5. Lock the cap by coin or flat head screw driver.
6. Push the cover back.

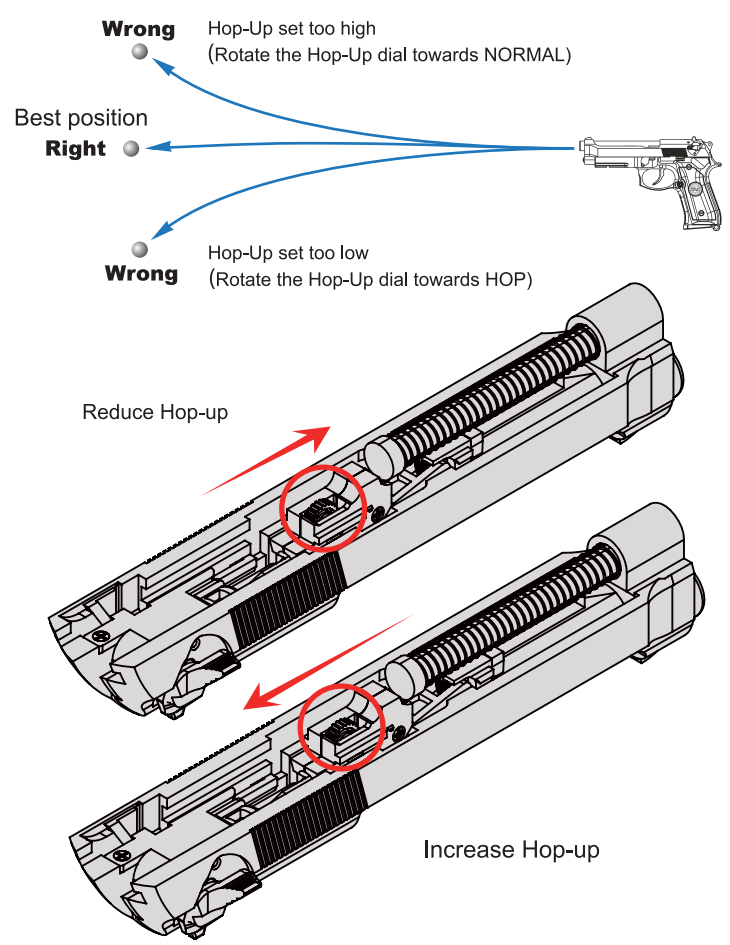
WARNING

- ▲ When using airsoft guns eye protection is required.(goggles or mask)
- ▲ Never place your finger on the trigger until you are ready to fire the gun. Always put the gun in safe mode when not in use. Tread every gun as if it is loaded.
- ▲ Please keep away from children.
- ▲ BBs may remain in the barrel after magazine removal. To avoid injury, never look directly into the barrel and ensure the gun is always pointed in safe direction.
- ▲ Disassembly or modification of this product may result in damage to your Airsoft gun, loss of warranty, and/or serious injury.
- ▲ Please select a safe place to fire your airsoft gun. Always know your state and local laws concerning airsoft gun use.
- ▲ Do not aim or shoot at humans, animals, buildings, or vehicles.
- ▲ Please use a firearm case or bag when transporting your airsoft gun.

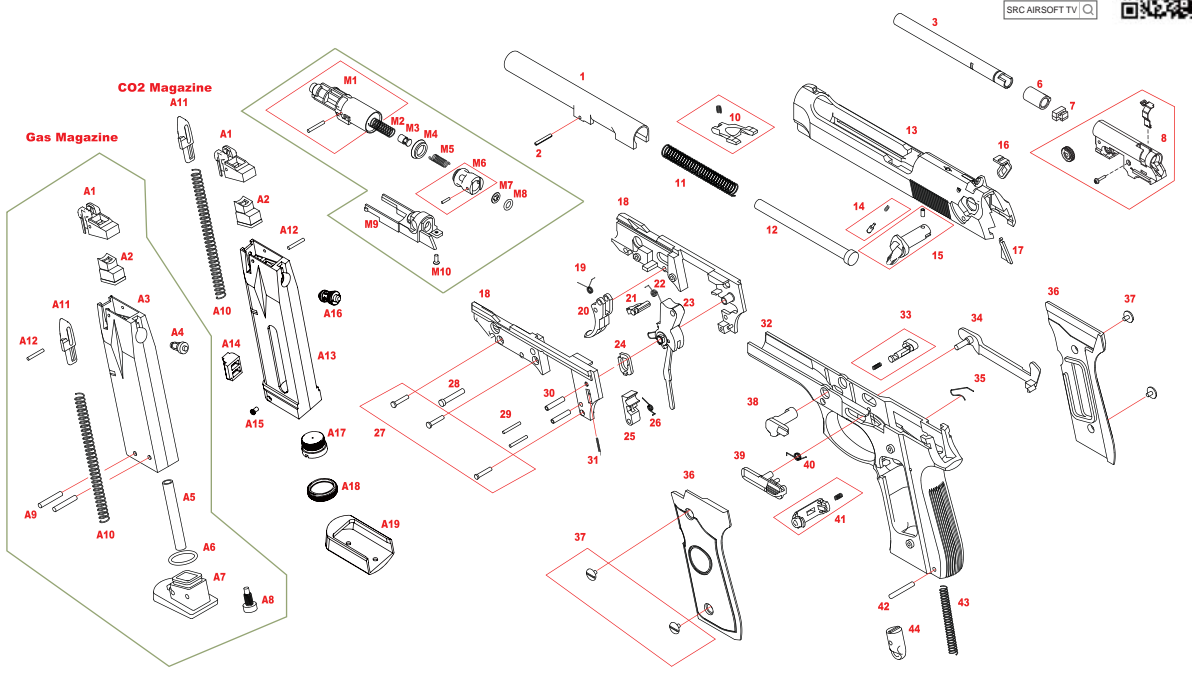
DISAEMBLE SLIDE



HOP-UP ADJUSTMENT



SR92 SCHEMATIC (DUAL POWER SYSTEM)



YouTube Broadcast Yourself™

Find us on Facebook

SRC AIRSOFT TV

SRC AIRSOFT

NO	DESCRIPTION
1	Outer Barrel
2	Barrel Pin
3	Inner Barrel
6	Cushion
7	Hop Up Bucking
8	Hop Up Chamber
10	Barrel Lock
11	Recoil Spring
12	Recoil Spring Guide
13	Slide
14	Safety Lever Lock
15	Safety Lever - L
16	Safety Lever - R
17	Safety Lever Bar
18	Trigger Base
19	Trigger Spring
20	Trigger
21	Hammer lever
22	Hammer lever Spring
23	Hammer
24	Stop Plate
25	Shear
26	Shear Spring
27	Screw

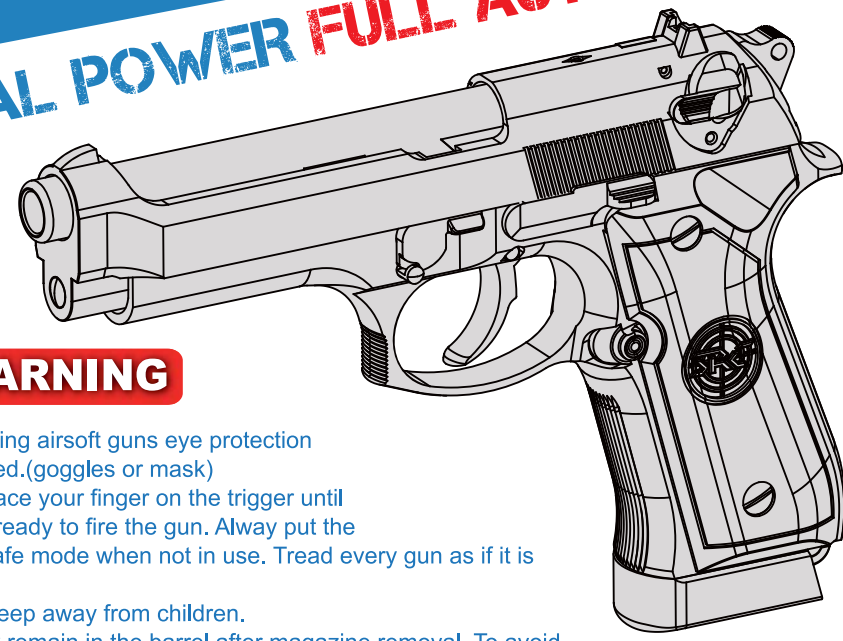
NO	DESCRIPTION	NO	DESCRIPTION	NO	DESCRIPTION	NO	DESCRIPTION	NO	DESCRIPTION
28	Trigger Pin	37	Grip Screw	M1	Air Nozzle	A1	Magazine Lip	A10	Magazine Spring
29	Pin	38	Slide Release lever	M2	Air Valve Spring	A2	Air Nozzle Rubber	A11	Magazine Bar
30	Brass Tube	39	Slide Stop	M3	Air Valve	A3	Magazine Frame	A13	CO2 Magazine Frame
31	Stop Plate Spring	40	Slide Stop Spring	M4	Piston Ring	A4	Valve	A14	Magazine Frame Stopper
32	Frame	41	Magazine Release Button	M5	Air Nozzle Spring	A5	Nebulization Tube	A15	Screw
33	Slide Release Button	42	Pin	M6	Piston	A6	O Ring	A16	CO2 Magazine Valve
34	Triger Link	43	Hammer Spring	M7 / M8	CS / O Ring	A7	Gas Magazine Base	A17	Cartridge Stab
35	Trigger Spring	44	Hammer Spring Cover	M9	Cylinder Base	A8	Gas Valve	A18	CO2 Cartridge Cap
36	Grip Panel			M10	Screw	A9 / A12	Pin	A19	Magazine Bottom



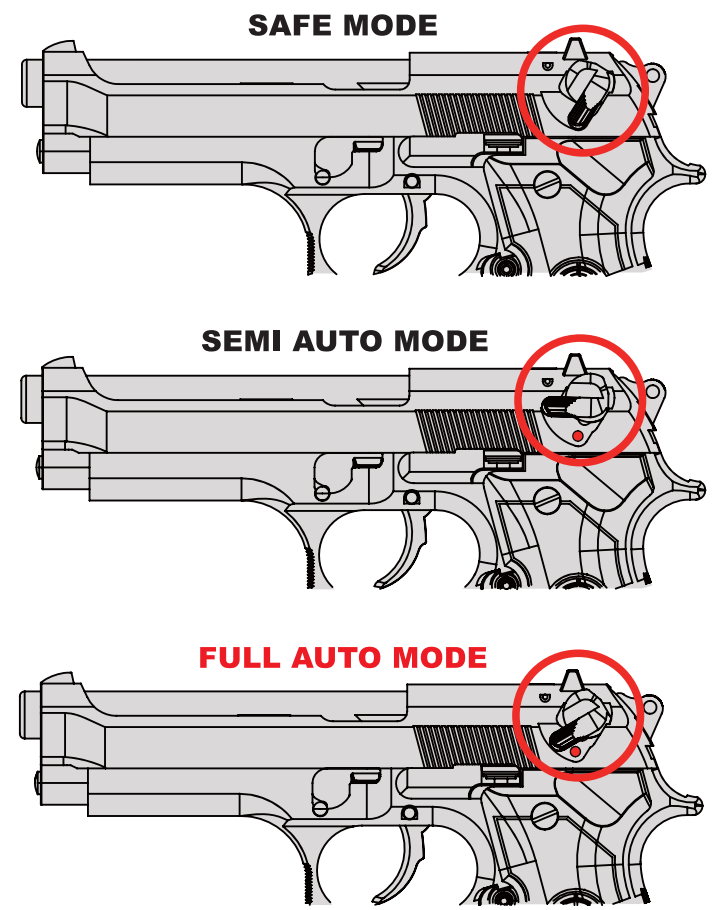
DUAL POWER FULL AUTO VER.

WARNING

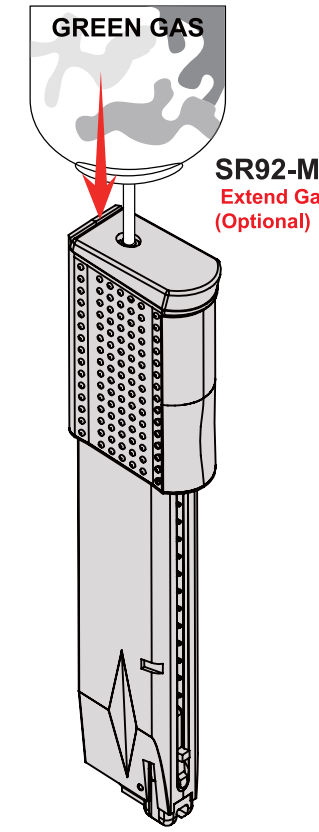
- ▲ When using airsoft guns eye protection is required.(goggles or mask)
- ▲ Never place your finger on the trigger until you are ready to fire the gun. Always put the gun in safe mode when not in use. Tread every gun as if it is loaded.
- ▲ Please keep away from children.
- ▲ BBs may remain in the barrel after magazine removal. To avoid injury, never look directly into the barrel and ensure the gun is always pointed in safe direction.
- ▲ Disassembly or modification of this product may result in damage to your Airsoft gun, loss of warranty, and/or serious injury.
- ▲ Please select a safe place to fire your airsoft gun. Always know your state and local laws concerning airsoft gun use.
- ▲ Do not aim or shoot at humans, animals, buildings, or vehicles.
- ▲ Please use a firearm case or bag when transporting your airsoft gun.



SHOOTING MODE

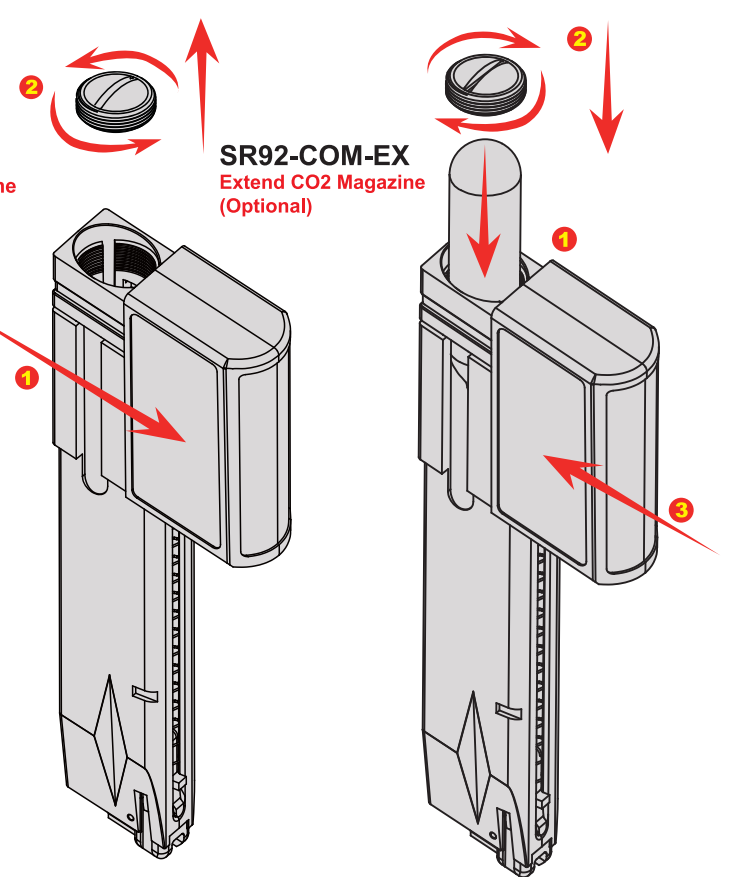


GAS INJECTION



1. Turn the Magazine upside down with gas refill inlet facing upwards.
2. Keeping the gas cylinder inverted and vertical to the Magazine, inject gas until completely filled.

INSTALL CO2 CARTRIDGE



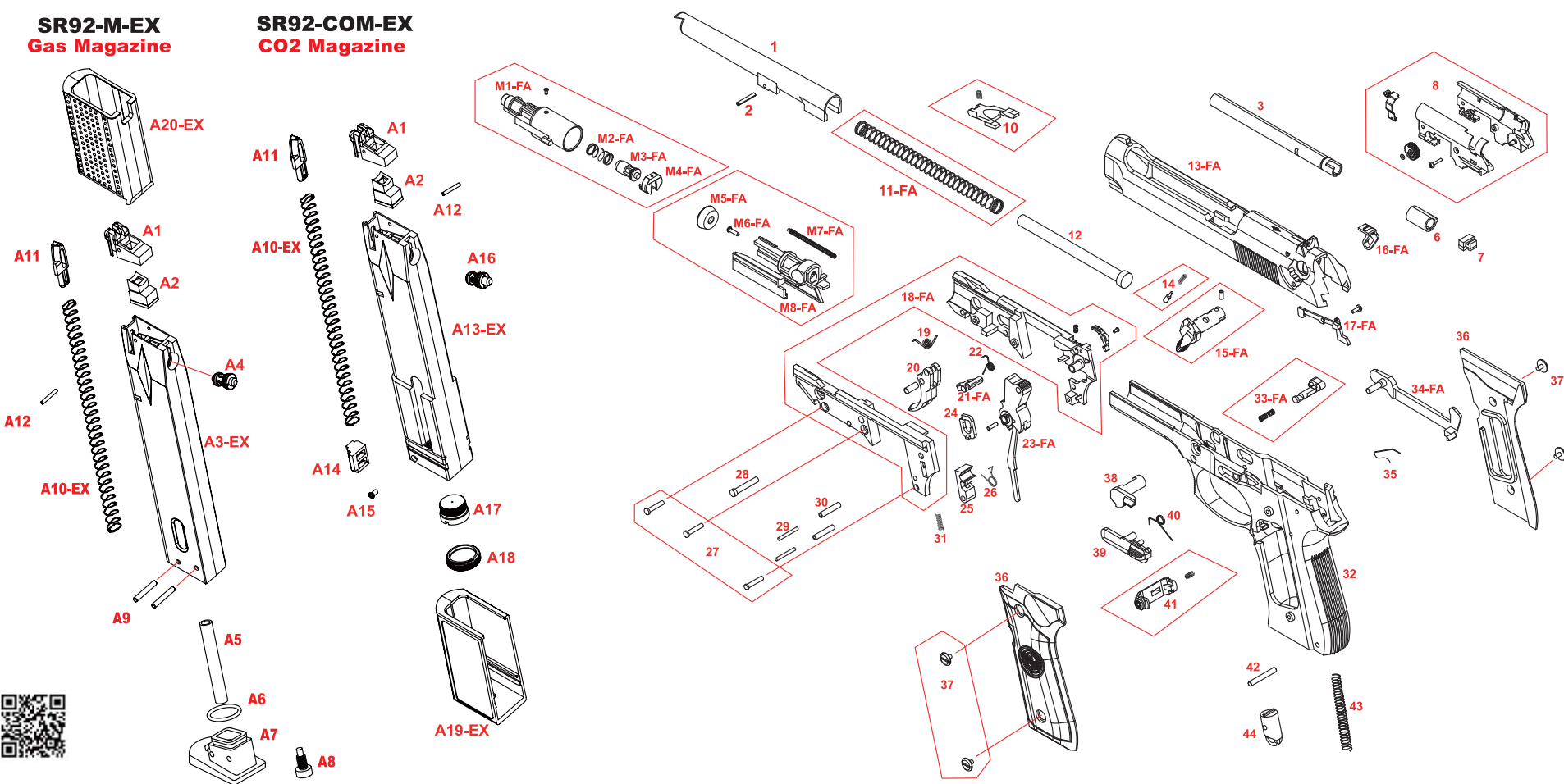
1. Push the cover out.
2. Take out the cap by coin or flat head screw driver.
1. Put CO2 Cartridge into the Magazine.
2. Lock the cap by coin or flat head screw driver.
3. Push the cover back.

SR92 SCHEMATIC FULL AUTO Ver. (DUAL POWER SYSTEM)

SR92-M-EX Gas Magazine

SR92-COM-EX CO2 Magazine

NO	DESCRIPTION
A1	Magazine Lip
A2	Air Nozzle Rubber
A3-EX	Gas Magazine Frame
A4	Valve
A5	Nebulization Tube
A6	O Ring
A7	Gas Magazine Base
A8	Gas Valve
A9 / A12	Pin
A10-EX	Magazine Spring
A11	Magazine Bar
A13-EX	CO2 Magazine Frame
A14	Magazine Frame Stopper
A15	Screw
A16	CO2 Magazine Valve
A17	Cartridge Stab
A18	CO2 Cartridge Cap
A19-EX	CO2 Magazine Bottom
A20-EX	GAS Magazine Bottom Shell



NO	DESCRIPTION
1	Outer Barrel
2	Barrel Pin
3	Inner Barrel
6	Cushion
7	Hop Up Bucking
8	Hop Up Chamber
10	Barrel Lock
11-FA	Recoil Spring
12	Recoil Spring Guide
13-FA	Slide
14	Safety Lever Lock
15-FA	Safety Lever - L
16-FA	Safety Lever - R
17-FA	Safety Lever Bar
18-FA	Trigger Base
19	Trigger Spring
20	Trigger
21-FA	Hammer lever
22	Hammer lever Spring
23-FA	Hammer
24	Stop Plate
25	Shear
26	Shear Spring
27	Screw
28	Trigger Pin
29	Pin
30	Brass Tube
31	Stop Plate Spring
32	Frame
33-FA	Slide Release Button
34-FA	Triger Link

NO	DESCRIPTION
35	Spring
36	Grip Panel
37	Grip Screw
38	Slide Release lever
39	Slide Stop
40	Slide Stop Spring
41	Magazine Release Button
42	Pin
43	Hammer Spring
44	Hammer Spring Cover

Air Nozzle set	
NO	DESCRIPTION
M1-FA	Air Nozzle
M2-FA	Air Valve Spring
M3-FA	Air Valve
M4-FA	Piston Spring
M5-FA	Piston
M6-FA	Screw
M7-FA	Spring
M8-FA	Cylinder Base

